

A-Board 32mm

PAVEMENT SIGNS > A BOARDS



Classic A-Board 32 mm

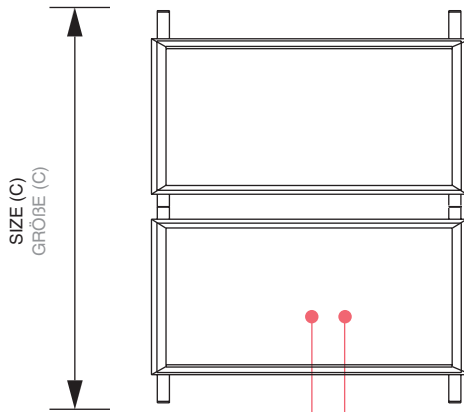
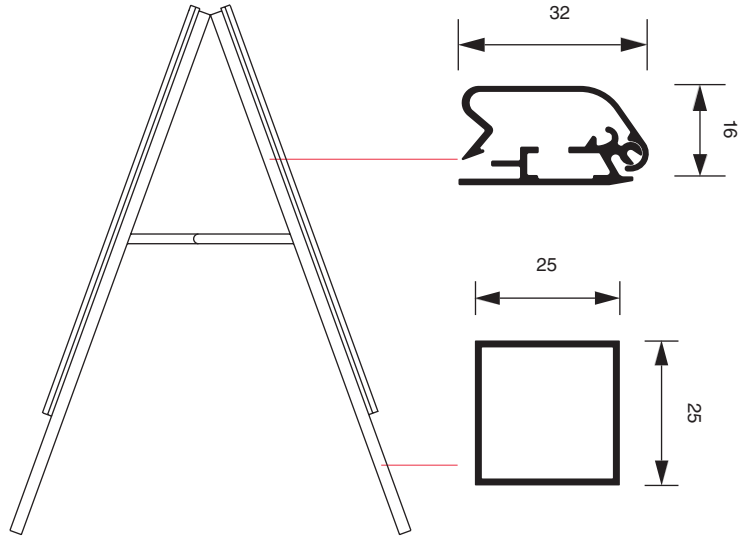
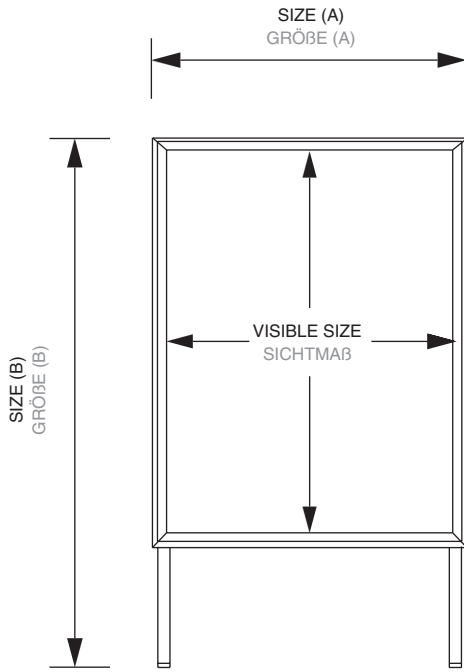
The industry standard A-Board with mitred or round corner 32mm snap frames. Good stability with aluminium legs, metal hinges and stays, shock resistant anti corrosive back walls and UV-stable anti glare front sheets.

Kundenstopper Standard 32 mm

Doppelseitiger Kundenstopper. Ecken Rondo oder auf Gehrung. Sehr stabil mit pressblanken Standprofilen und zwei aufmontierten 32 mm Klapprahmen mit extrem schlagfester, rostfreier Metallrückwand.

A-Board 32mm / mitred corner

PAVEMENT SIGNS > A BOARDS



ANTI GLARE FRONT 0,5mm
ANTIREFLEX-SCHUTZSCHEIBE 0,5mm

BACKWALL 3 mm AKYPLAC
RÜCKWAND 3 mm AKYPLAC

ACCESSORIES ZUBEHÖR



(ZPTOPCARD)
TOPCARD
TOPSCHILD

(ZPHOLDER)
TOPCARD HOLDER
TOPSCHILD-HALTER



(SETZP)
WRITING SET
SCHREIBTAFEL - SET



(TSZP)
SET TOPCARD+WIREFRAME HOLDER
SET TOPSCHILD UND DRAHTHALTERUNG

(LHZP)
LEAFLET BASKET
PROSPEKTKORB



A-Board 32mm / mitred corner

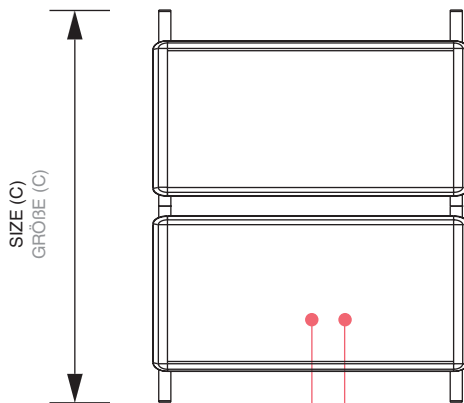
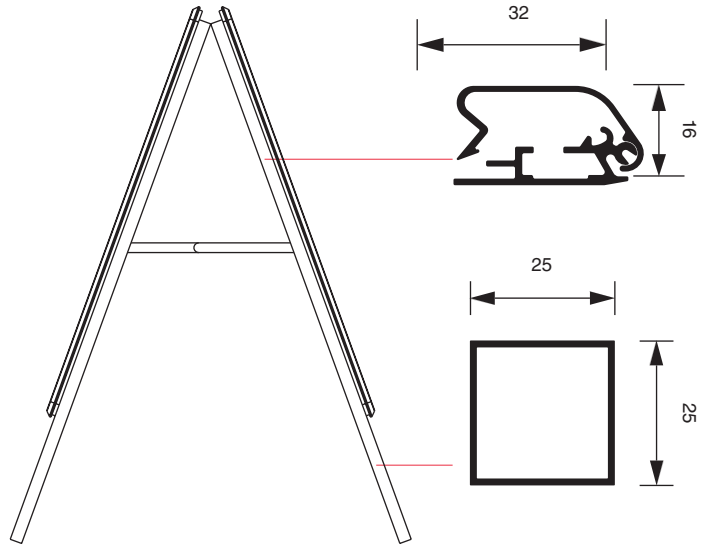
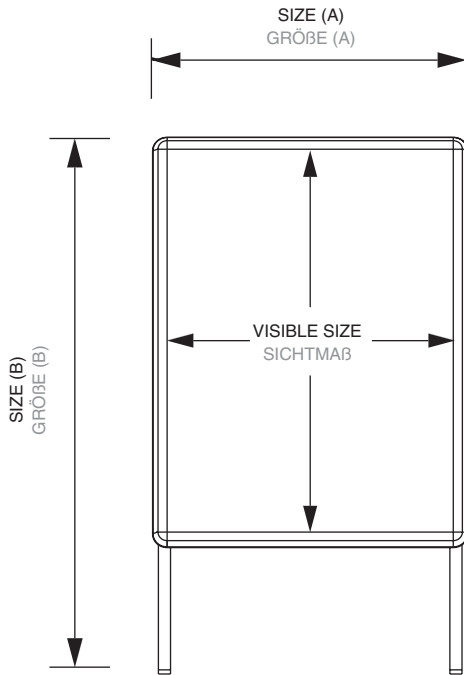
PAVEMENT SIGNS > A BOARDS

| ARTICLE CODE | EAN / GTIN | POSTER SIZE | VISIBLE SIZE | SIZE (A x B x C) | NET WEIGHT |
|----------------|---------------|--------------------|---------------|-----------------------|---------------|
| ARTIKELNUMMER | EAN / GTIN | PLAKATFORMAT | SICHTMAß | GRÖßE (A x B x C) | NETTO GEWICHT |
| ZPA2G32ME | 8595578304725 | 420 x 594 mm (A2) | 402 x 576 mm | 465 x 999 x 683 mm | 5,97 kg |
| ZPA1G32ME | 8595578304732 | 594 x 841 mm (A1) | 576 x 823 mm | 639 x 1094 x 744 mm | 9,20 kg |
| ZPA0G32ME | 8595578304749 | 841 x 1189 mm (A0) | 823 x 1171 mm | 886 x 1380 x 925 mm | 15,35 kg |
| ZP50x70G32ME | 8595578304756 | 500 x 700 mm | 482 x 682 mm | 545 x 999 x 683 mm | 7,22 kg |
| ZP70x100G32ME | 8595578304763 | 700 x 1000 mm | 682 x 982 mm | 745 x 1380 x 683 mm | 11,93 kg |
| ZP100x140G32ME | 8595578304770 | 1000 x 1400 mm | 982 x 1382 mm | 1045 x 1542 x 1028 mm | 20,21 kg |
| ZP508x762G32ME | 8595578304787 | 20" x 30" | 490 x 744 mm | 553 x 999 x 683 mm | 7,63 kg |

| ARTICLE CODE | PACKING SIZE | PACKING WEIGHT | PCS / PALLET | WEIGHT OF PALLET | VOLUMETRIC WEIGHT | BELT SIZE | SHIPPING |
|----------------|----------------------|------------------|----------------|------------------|-------------------|-----------|------------|
| ARTIKELNUMMER | PACKUNGS-GRÖßE | PACKUNGS-GEWICHT | STCK / PALETTE | PALETTE-GEWICHT | VOLUMEN-GEWICHT | GÜRTEL | VERSANDART |
| ZPA2G32ME | 521 x 1076 x 124 mm | 9,04 kg | 20 | 201 kg | 13,90 kg | 2366 mm | UPS |
| ZPA1G32ME | 695 x 1196 x 124 mm | 12,34 kg | 20 | 267 kg | 20,61 kg | 2834 mm | UPS |
| ZPA0G32ME | 948 x 1495 x 124 mm | 19,26 kg | 6 | 136 kg | 35,15 kg | 3639 mm | TOF |
| ZP50x70G32ME | 601 x 1076 x 124 mm | 10,68 kg | 20 | 234 kg | 16,04 kg | 2526 mm | UPS |
| ZP70x100G32ME | 807 x 1495 x 124 mm | 16,42 kg | 10 | 185 kg | 29,92 kg | 3357 mm | TOF |
| ZP100x140G32ME | 1107 x 1665 x 124 mm | 25,05 kg | 10 | 271 kg | 45,71 kg | 4127 mm | TOF |
| ZP508x762G32ME | 695 x 1196 x 124 mm | 11,01 kg | 20 | 241 kg | 20,61 kg | 2834 mm | UPS |

Classic A-Board 32mm / rondo corner

PAVEMENT SIGNS > A BOARDS



ANTI GLARE FRONT 0,5mm
ANTIREFLEX-SCHUTZSCHEIBE 0,5mm

BACKWALL 3 mm AKYPLAC
RÜCKWAND 3 mm AKYPLAC

ACCESSORIES ZUBEHÖR



(ZPTOPCARD)
TOPCARD
TOPSCHILD

(ZPHOLDER)
TOPCARD HOLDER
TOPSCHILD-HALTER



(SETZP)
WRITING SET
SCHREIBTAFEL - SET



(TSZP)
SET TOPCARD+WIREFRAME HOLDER
SET TOPSCHILD UND DRAHTHALTERUNG

(LHZP)
LEAFLET BASKET
PROSPEKTKORB



Classic A-Board 32mm / rondo corner

PAVEMENT SIGNS > A BOARDS

| ARTICLE CODE | EAN / GTIN | POSTER SIZE | VISIBLE SIZE | SIZE (A x B x C) | NET WEIGHT |
|----------------|---------------|--------------------|---------------|-----------------------|------------------|
| ARTIKELNUMMER | EAN / GTIN | PLAKATFORMAT | SICHTMAß | GRÖßE (A x B x C) | NETTO GEWICHT |
| ZPA2R32ME | 8595578304848 | 420 x 594 mm (A2) | 402 x 576 mm | 465 x 1025 x 683 mm | 5,83 kg |
| ZPA1R32ME | 8595578304855 | 594 x 841 mm (A1) | 576 x 823 mm | 639 x 1120 x 744 mm | 9,06 kg |
| ZPA0R32ME | 8595578304862 | 841 x 1189 mm (A0) | 823 x 1171 mm | 886 x 1406 x 925 mm | 15,22 kg |
| ZP50x70R32ME | 8595578304879 | 500 x 700 mm | 482 x 682 mm | 545 x 1120 x 683 mm | 7,08 kg |
| ZP70x100R32ME | 8595578304886 | 700 x 1000 mm | 682 x 982 mm | 745 x 1406 x 683 mm | 11,79 kg |
| ZP100x140R32ME | 8595578304893 | 1000 x 1400 mm | 982 x 1382 mm | 1045 x 1568 x 1028 mm | 20,07 kg |
| ZP508x762R32ME | 8595578304909 | 20" x 30" | 490 x 744 mm | 553 x 1025 x 683 mm | 7,38 kg |

| ARTICLE CODE | PACKING SIZE | PACKING WEIGHT | PCS / PALLET | WEIGHT OF PALLET | VOLUMETRIC WEIGHT | BELT SIZE | SHIPPING |
|----------------|----------------------|----------------------|----------------|---------------------|----------------------|-----------|------------|
| ARTIKELNUMMER | PACKUNGS- GRÖßE | PACKUNGS- GEWICHT | STCK / PALETTE | PALETTE- GEWICHT | VOLUMEN- GEWICHT | GÜRTEL | VERSANDART |
| ZPA2R32ME | 521 x 1076 x 124 mm | 8,79 kg | 20 | 196 kg | 13,90 kg | 2366 mm | UPS |
| ZPA1R32ME | 695 x 1196 x 124 mm | 12,08 kg | 20 | 262 kg | 20,61 kg | 2834 mm | UPS |
| ZPA0R32ME | 948 x 1495 x 124 mm | 19,02 kg | 6 | 135 kg | 35,15 kg | 3639 mm | TOF |
| ZP50x70R32ME | 601 x 1076 x 124 mm | 10,43 kg | 20 | 229 kg | 16,048 kg | 2526 mm | UPS |
| ZP70x100R32ME | 807 x 1495 x 124 mm | 16,16 kg | 10 | 182 kg | 29,92 kg | 3357 mm | TOF |
| ZP100x140R32ME | 1107 x 1665 x 124 mm | 24,95 kg | 6 | 170 kg | 45,71 kg | 4127 mm | TOF |
| ZP508x762R32ME | 695 x 1196 x 124 mm | 10,86 kg | 20 | 238 kg | 20,61 kg | 2834 mm | UPS |